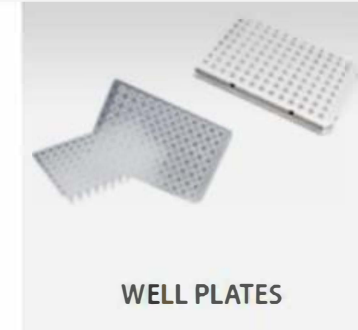




**DOMINIQUE  
DUTSCHER  
DISTRIBUTION**

**EXCLUSIVE DEALER FOR SORENSON IN EUROPE**



Distributed by

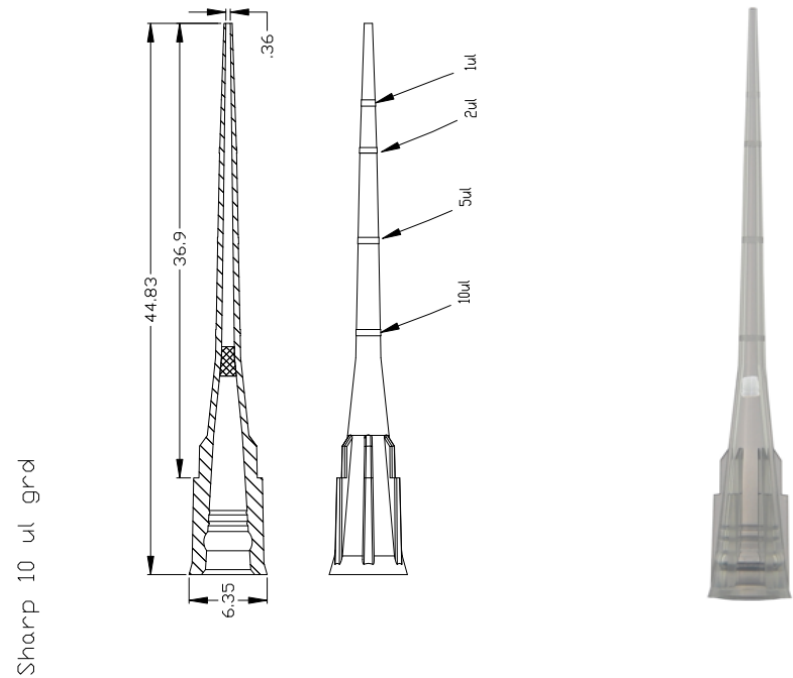
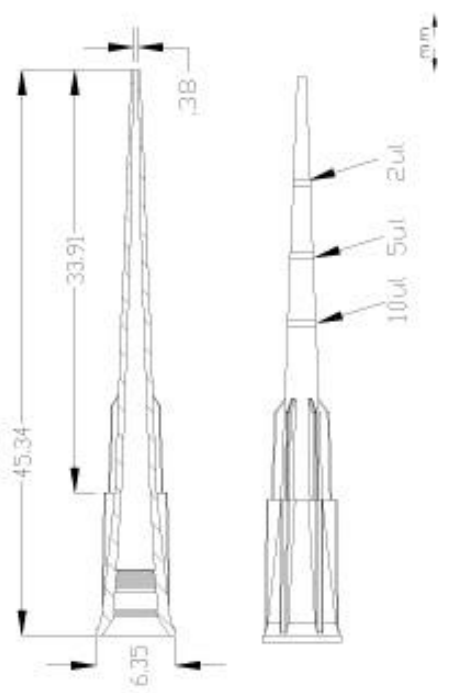
**BIOMEDICA**  
www.bmgrp.eu

# Tips

- Universal fit on research grade pipettors
- Extended length tips to reach bottom of tubes (Multiguard, XT)
- Mould polished with diamond tip therefore the tips do not have any cavities or occlusions
- Filter tips in steril rack and standard tips without filter in reload or rack
- Recycling process



➤ 10μL tips :



**Long Reach:** Long and graduated; ideal for 1,5mL and 2mL microtubes

**Sharp:** very fine and graduated; the only tips graduated to 1μL!  
(not available in HybridRack)



#MT-77260T

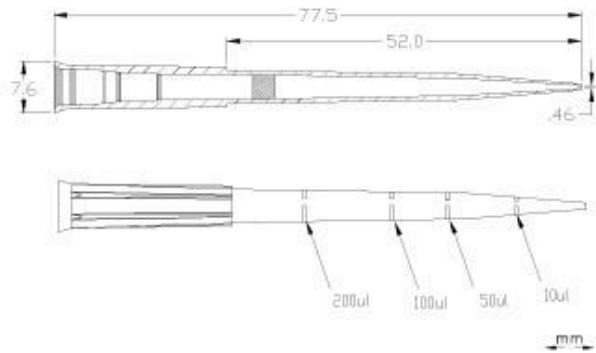
#MT-087240T

#MT-38000

#MT-77250T

#MT-130340

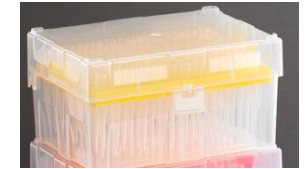
➤ 200μL tips :



Vs Std 200μl :



#MT-17370



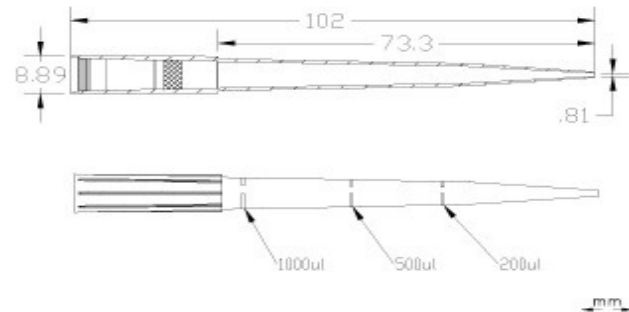
#MT-77290T



#MT-087830T

**Multiguard 3** : One tip for 3 sizes pipettors : 20μL, 100μL and 200μL

➤ 1250μL tips :



Vs Std 1000μl:



#MT-34000



#MT-77310T



#MT-087290T

**1000XT** : exclusive design to work on 15 & 50ml Centrifuge Tubes

# Tip - Racks

- 3 different racks depending on needs or budget for the **same tips**

**Cell-Rack**



- The most economical option for filter tips
- Snap-on lid

**MultiRack**



- The most versatile rack
- The empty box can be used with non-filter tip refills
- Colored tray to differentiate volumes
- Hinged, removable lid

**HybridRack**



- The most eco-friendly
- The empty box can be used with non-filter tip refills
- Colored tray to differentiate volumes

# Cell-Rack

## ➤ Filter tips

- Snap-on lid
- Sterile rack
- Standard or low-binding



## ➤ Standard tips

- Snap on-lid
- Sterile or non-sterile rack
- Standard or low-binding
- Quick Rack – refill: the most economical refill on the market, but not the easiest to use



# MultiRack

## ➤ Filter tips

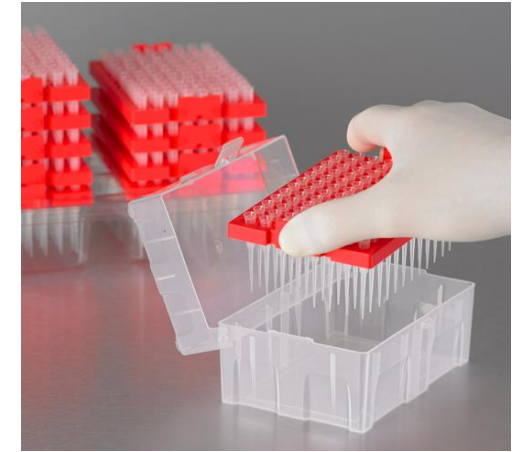
- Open style hinged rack
- Sterile rack
- Low-binding
- Colored tray to differentiate volumes

## ➤ Standard tips

- Open style hinged rack
- Sterile or non-sterile rack
- Reload non-sterile
- Standard or low-binding
- Colored tray to differentiate volumes

## ➤ Empty rack

- Can be used with reloads



# HybridRack

## Filter tips and standard tips sterile

Hybrid design uses **70% less plastic** than a traditional tip rack; **equal to six pounds of plastic saved per case** of 200ul tips (**1800 liters of water saved**)

Paperboard base is **easily recyclable** using existing, local recycling programs

Made in the USA in **EnergyStar, ISO 14001, ISO 13485** facility



Combination of sturdy polypropylene deck and strong paperboard base **allows for stable pipetting directly from HybridRack**, even with Multi-Channel

Plastic Deck is **compatible with Sorenson MultiRack** tip racks

**Color coded** decks depending on tip volume

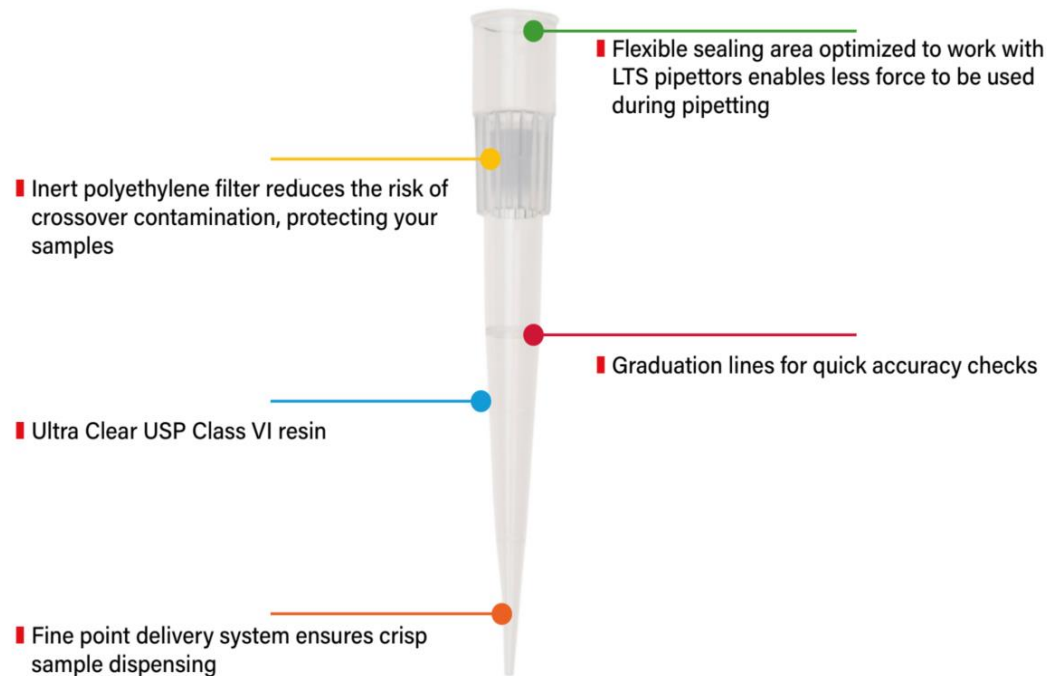
**Same tips as Sorenson MultiGuard** product line

Can also be used as a **filter tip reload system**



# LTS Tips

- LTS tips are **only compatible** with Rainin LTS pipettes
- Reduction of the force required to seal and eject the tip
- Available in racks, reload, Tipstations, or HybridRack.



Rack



Reload



TipStation



HybridRack

# One-Touch Tips

## ➤ Universal-fit

➤ **Innovative:** Bi-component tips:  
Top part: flexible elastomer  
Bottom part: ultra-transparent polypropylene

➤ **Leak-proof:**  
Ideal for multichannel pipettes

➤ **Ergonomic:** Reduction of muscle fatigue :  
Less pressure to create the optimal seal and less force required for tip ejection.



Distributed by

**BIOMEDICA**  
www.bmgrp.eu